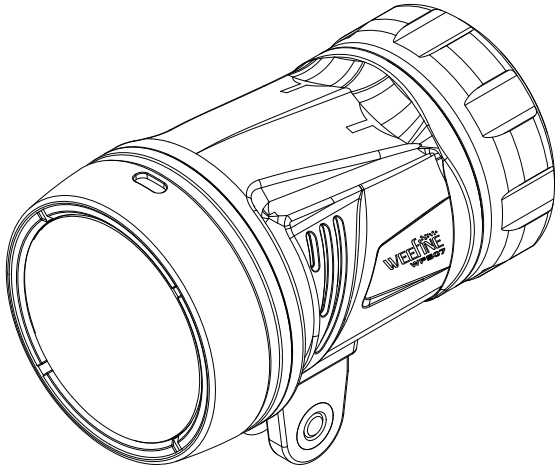


WFS07 STROBE LIGHT

User Manual



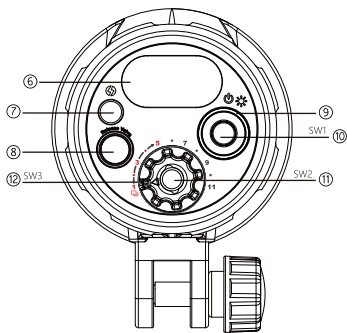
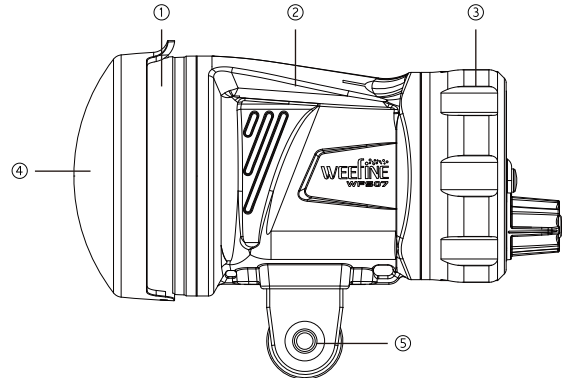
Please read the user manual carefully before using the strobe Light

Product features

WFS07 strobe light is a multi-functional light that supports underwater photo and video shooting. The product features a ring flash lighting tube with a maximum strobe power of 60Ws, a flash angle of 140°, and equipped with a large-capacity high-rate lithium battery with capability of more than 600 maximum flashes. In addition to the ring strobe, there is a 3000Lumen LED located in the center, with adjustable intensity and color rendering index > Ra90, it can be used together with the ring strobe as an adjustable focus light, or independently as a video light up to 3000Lumen, with color temperature of 5000 Kelvin.

WFS07 has multiple safety features, such as overheating management, internal air incorporated a number of design technology patented to WEEFINE, the aesthetic portraits the new direction in our design language, and therefore a unique underwater lighting equipment.

Components



- ① Light head
- ② Body
- ③ Tail cap
- ④ Diffuser
- ⑤ YS holder
- ⑥ LED Screen display
- ⑦ Fiber optic cable port
- ⑧ Exhaust Valve
- ⑨ Ring-shape charging indicator
- ⑩ SW1-Power switch / LED dimming button
- ⑪ SW2-Strobe mode / Testing button
- ⑫ SW3-Strobe level knob

Function operation :

- SW1** : Power switch / LED dimming button
- SW2** : Strobe mode / Strobe testing button
- SW3** : Strobe level knob

Power on / off :

Long press SW1 button , Power on & Power off.

Setting the strobe mode - 3 selections available :

Three kinds of strobe mode:

S1 Mode :

Single Shooting – WFS07 will fire according to the selected brightness level when the camera flash triggered. Continuous Shooting – Only supported when brightness level is from 1-5.



Short press button :

Press and release the button within 1 second

Long press button :

Press and hold the button for more than 2 seconds

S2 mode :

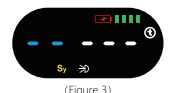
For camera with Pre-flash function – When receiving 2 consecutive flash signals under this mode, WFS07 will fire according to the brightness level selected when the second camera flash triggered.

*Continuous shooting is not supported in S2.



SY mode :

Synchronisation mode - WFS07 fires when triggered by the camera flash, and the level brightness and the duration of the strobe are synchronised to and controlled by the metering of the camera. Once the camera detects the correct exposure and stops the flash signal, the WFS07 cease firing.



Switch strobe mode :

Long press SW2 button one time to switch the next strobe mode . S1->S2->Sy->S1 (endless loop)



Strobe levels setting :

Total of 11 levels with its corresponding strobe power are as follows.

Level	1	2	3	4	5	6	7	8	9	10	11
Power (Ws)	1	2	4	6	9	12	18	27	36	45	60

Strobe levels setting :

Turn the SW3 knob clockwise to increase the level (1 > 2 > 3... >11).

Turn the SW3 knob anti-clockwise to reduce the level (1 <... 9 < 10 < 11).

The number pointed at by the marker on the knob indicates the level of the strobe.

The two blue digits on the left side of the LED screen display is the current strobe level.



Remaining strobe time display :

The 3 white digits on the LED screen display shows the remaining strobe time supported by the current battery power in the current strobe mode.

The symbol Ⓢ is displayed on the right side of the LED screen display.

When the current brightness level is set to low, or if the current strobe time is more than 1000, 999 will be on display.

WFS07 will recalculate the remaining strobe time after each adjustment to the current brightness level of the strobe or/and with LED light.

Note: In Sy Mode – No remaining working time is available on display.

LED level adjustment :

Total 5 levels : 100% ,50% , 25% , 10% , off.



Adjustable LED level :

In the state of POWER ON , short press SW1 button one time to switch to the next level 100%-50%-25%-10%-OFF-100% (endless loop).

When the LED level is adjusted, the three digits on the right of screen display will show corresponding brightness percentage with symbol "%", after 5 seconds , the three digits will automatically switch to the remaining flash times.

Shut-off function :

Under any LED level , LED light could be used as Focus Light . When the strobe is triggered, the LED light will automatically shut - off and light up the original brightness again after 1.5 seconds.

Fiber Optic Cable Connection :

Please use the standard fiber optic cable in the package to connect the strobe port of the camera to the strobe port of WFS07 strobe light.

Remaining battery level:

The battery level symbol on the screen indicates the battery level.

	Battery level>80%	4 cells
	Battery level>60%	3 cells
	Battery level>40%	2 cells
	Battery level>20%	1 cells
	Battery level<10% , enter into lower battery level protection and automatically turn off after 10 minutes .	Red battery symbol blinking

Temperature protection :

When the internal temperature is detected to be higher than 50°C, WFS07 strobe light does not work and automatically enter into overheating protection program. If the LED is still working in high-brightness level , its brightness will automatically drop below 10% ; After the internal temperature is cooled to lower than 40°C, all functions of the strobes will resume normal working.

Battery safety management :

When WFS07 strobe light is detected that the battery level is about to run out, the red battery symbol will blink, and the strobes will stop working. If the LED is working in a high-brightness level, its brightness will automatically drop below 5%, and the screen will display a 10-minute to turn off countdown.

Internal air pressure management :

When the internal air pressure of the strobes changes due to temperature changes, abnormal battery exhaust and other reasons, the exhaust valve will automatically exhaust the air to keep the internal air pressure of the body at a safety value , at the same time keep the structure components of the body stable , and ensure that the user can open the tail cap safely.

04

Parameter

Strobe power	60Ws
Strobe Color Temperature	5500K
Strobe Beam Angle	Ring-shape 140 degrees
Full power recycle time	0.9S
Full power Strobe times	600+
Strobe port	Strobe with Fiber optic cable
Strobe level	1, 2, 4, 6, 9, 12, 18, 27, 36, 45, 60 (Ws) (Total 11 levels)
LED Brightness	3000LM
LED Color Temperature	5000K
CRI of video light	>Ra90
Burning time of video light	50 mins (Used alone as a video light)
Battery	2*18650 Li-ion batteries (3000MAH)
Depth Rated	100M
Safety Exhaust Valve	Standard
Dimension	79(D) x 155(L)mm
Weight	695g (on land) / 165g (underwater)

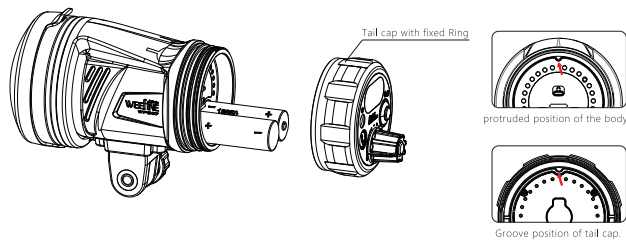
Packing list



05

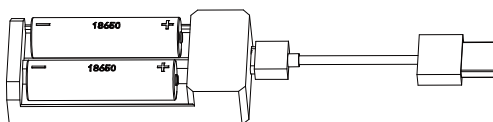
Battery Installation

1. Turn the tail cap fixed ring counter-clockwise to open it.
 2. Put two 18650 Li-ion batteries into the battery compartment.
- Note :** The direction of battery polarity must be correct.
3. Please pull the battery lock when take out the battery.
 4. Firstly make sure the groove on tail cap align the protruded position of the body ,and then turn the tail cap clockwise to tighten to the head of the strobe light.



Battery charging

1. Use the USB power cord to connect the charger dock and 5V power adaptor. The charger dock's indicator will turn to green, signifying the power has been connected.
2. Insert the battery into the charger dock, the positive electrode (+) of the battery and that of the charger dock should be on the same direction. When the charger dock's indicator turns to red, signifying the battery is charging . When the charger dock's indicator turns to green, signifying the battery has charged fully (Charging time : Approx z3 hours).



06

Standard Warranty

provides a limited warranty to the original purchaser of its products against all defects in original workmanship and material, under normal use and service, for one year from the date of purchase with the following exceptions:

1. Batteries are warranted for 90 days only.
2. Defects attributed to accident, abuse, incorrect maintenance or use and storage.
3. Defects resulting from disassembly or modification by customers or repairers of other companies.
4. Defects caused by damages of the shell or other external components while usage.
5. The machine label numbers are torn, blurred or counterfeit.
6. Defects caused by force majeure (such as: earthquakes, fires, floods, etc.)

Care and Maintenance

1. Wash the exterior of the light thoroughly with clean fresh water as soon as possible after using it. It is particularly advisable to soak it in fresh water for 60 minutes after use in salt water to remove salt deposits. Then dry the ring light with a clean soft cloth to remove sand, dirt, hair and other objects on O-ring.
2. Regularly apply silicone oil to the O-ring, which can effectively prevent the rubber ring from aging and damage and ensure the sealing effect. Change the O-rings every two years to ensure the waterproof-ness even though they seem to be in good condition.
3. Always remove the battery from the light compartment when traveling or storing and charge to Approx. 60% to aim to prevent to damage the battery due to long-term low power.

Warnings

1. Do not open the tail cap when the video light is in the water.
2. Do not shine the light directly into your eyes or another person's eyes.
3. Do not touch the battery or charger with wet hands.
4. Only use the manufacturer's battery and charger with this system.
5. if the video light will not be used for a long period of time, the battery should be removed.
6. Don't disassemble or repair the video light ,battery and charger by yourself .Please contact the local distributor in case of failure.

07